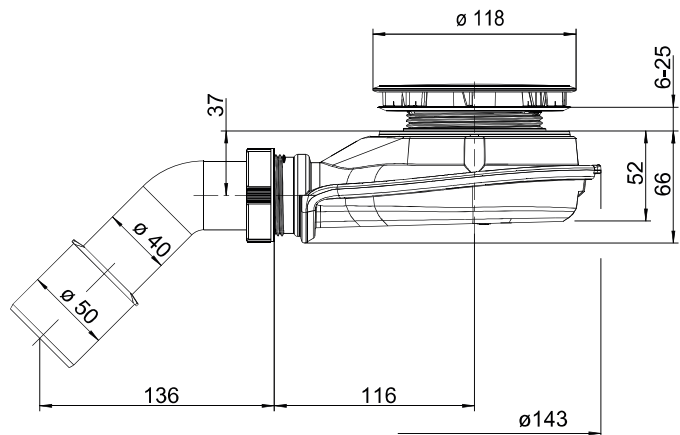
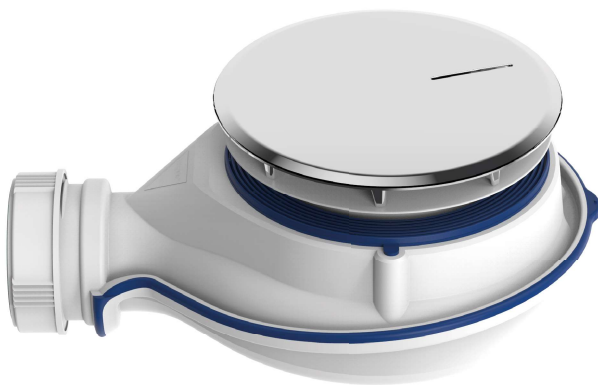


Product data sheet



Shower drain Magnetech 90 with unique mechanical trap (patented)



Purpose of use

- Waste for shower tray with drain hole d: 90 mm

Advantages

- High functional reliability due to innovative mechanical trap
- No more unpleasant odours due to drying out or empty suction possible
- gas-tight at negative and positive pressure

Features & Benefits

- Compact dimensions
- Low installation height of only 66 mm - suitable for ultra-flat shower trays
- Easy cleaning due to completely removable trap components, outlet pipe easily accessible
- Adaptable to shower tray wall thickness up to 26 mm
- Tool-free assembly
- Hair filter integrated in cover

Technical data

- High flow rate of 0.60 l/s
- Material PP, cover ABS chromium-plated
- Tested according to DIN EN 274

Scope of delivery

- shower drain
- incl. chromium-plated cover with hair filter and outlet bend 135° 40/50

Article code

- 34.059.81..0000

Spare parts

- Mechanical trap